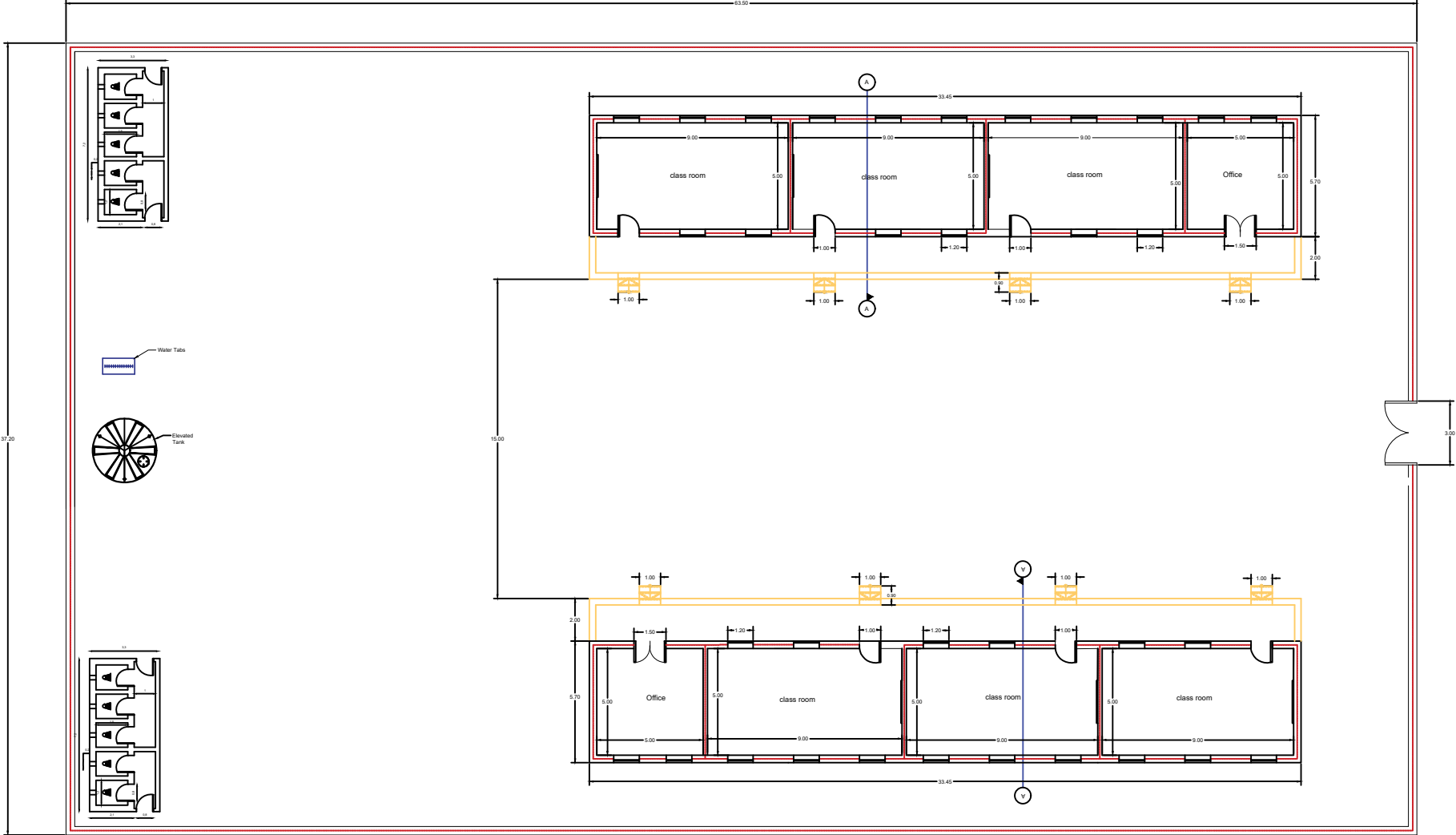
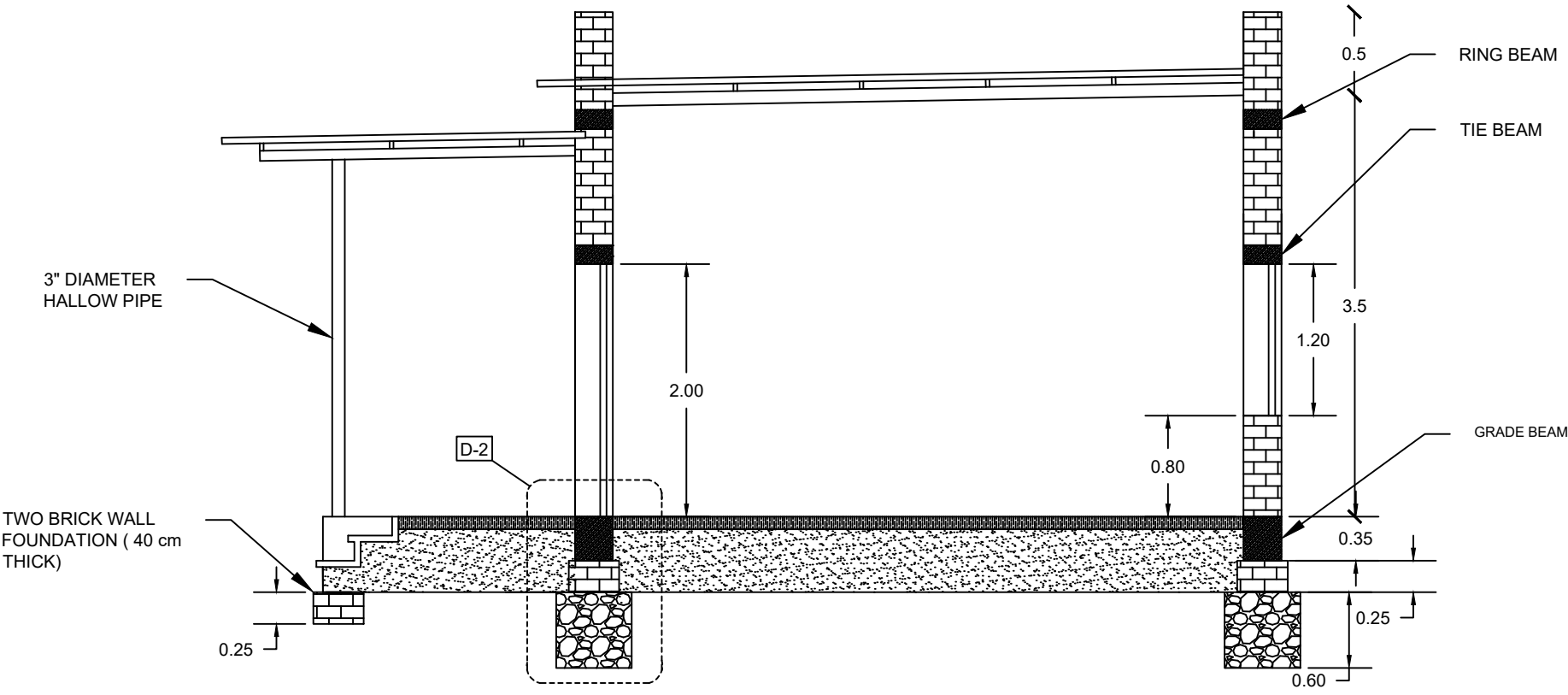
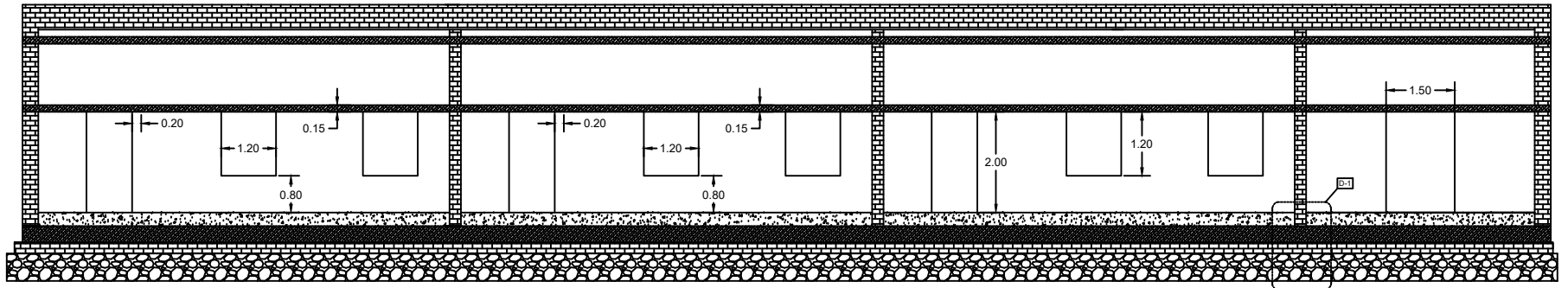


Annex C: Design and the structure

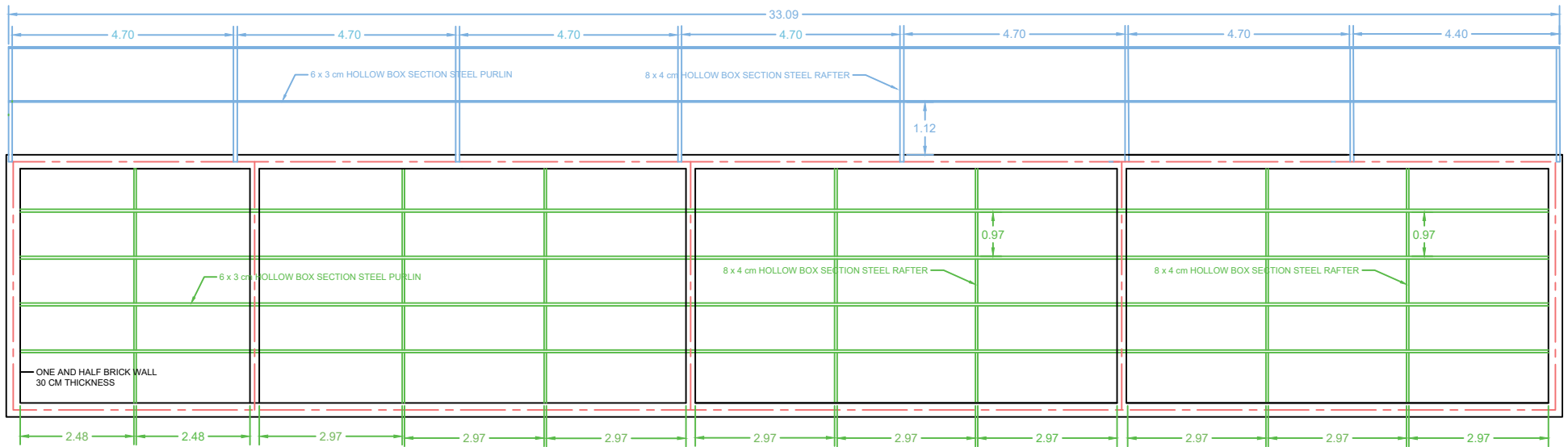


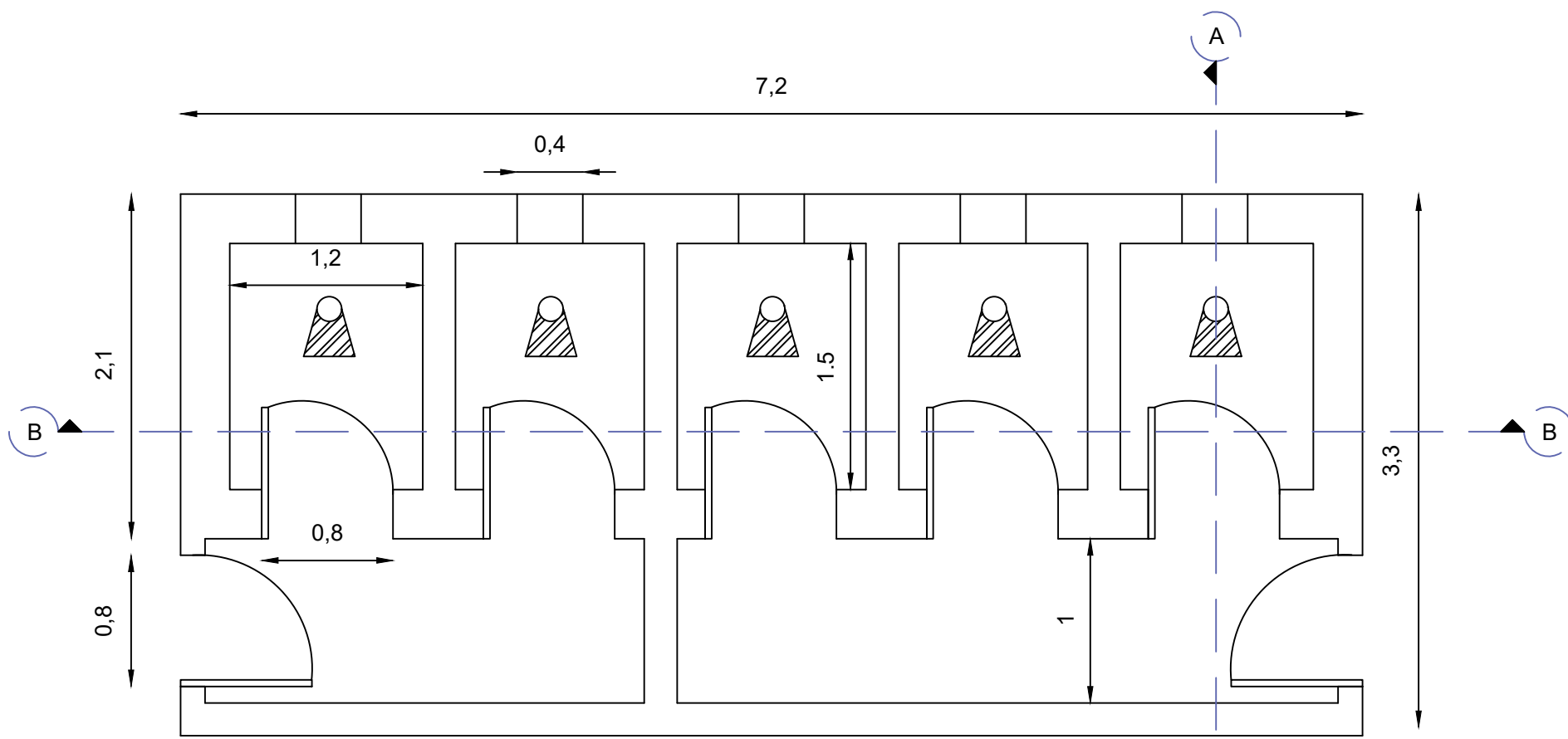


SECTION A-A

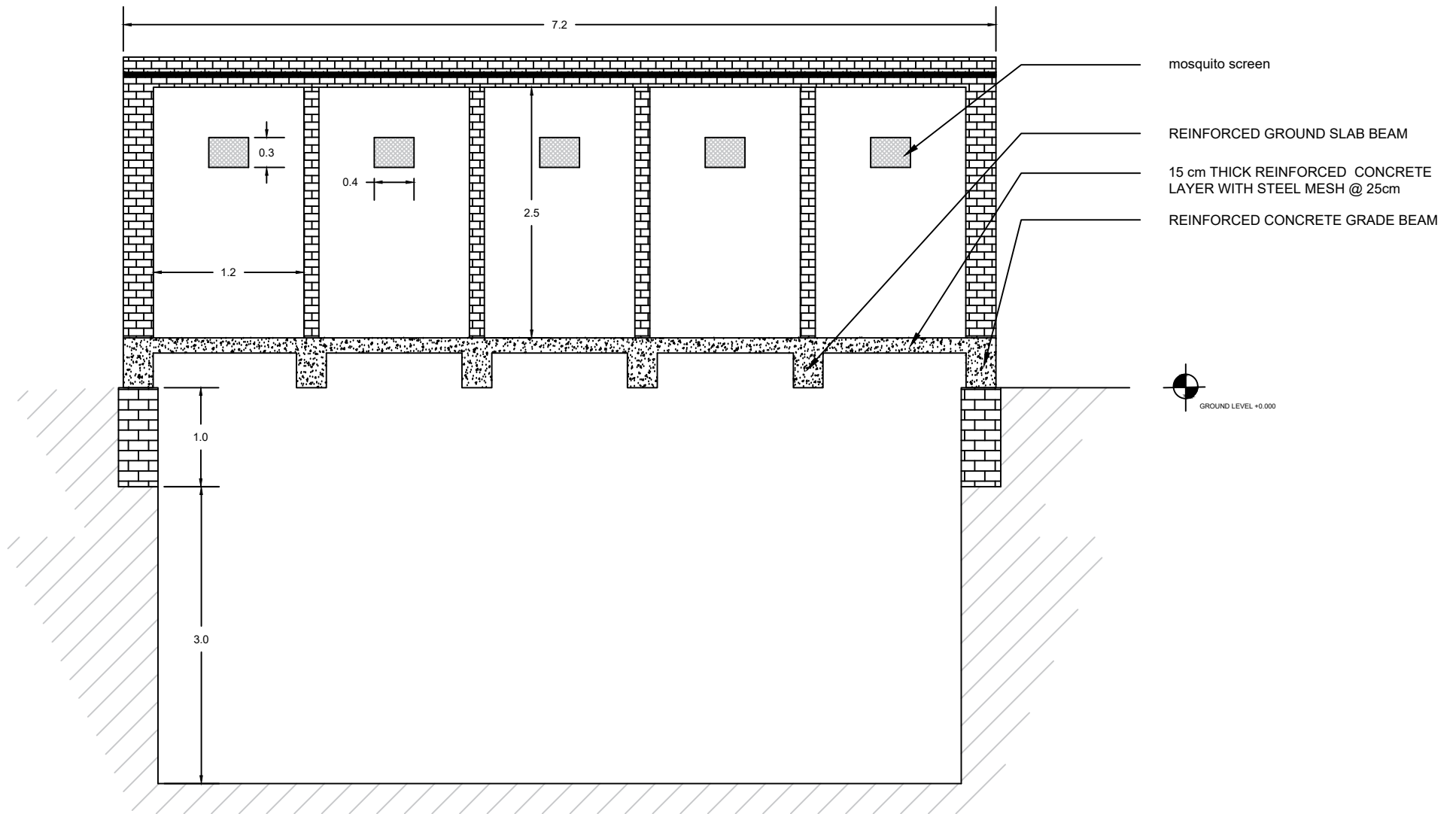


SECTION B-B

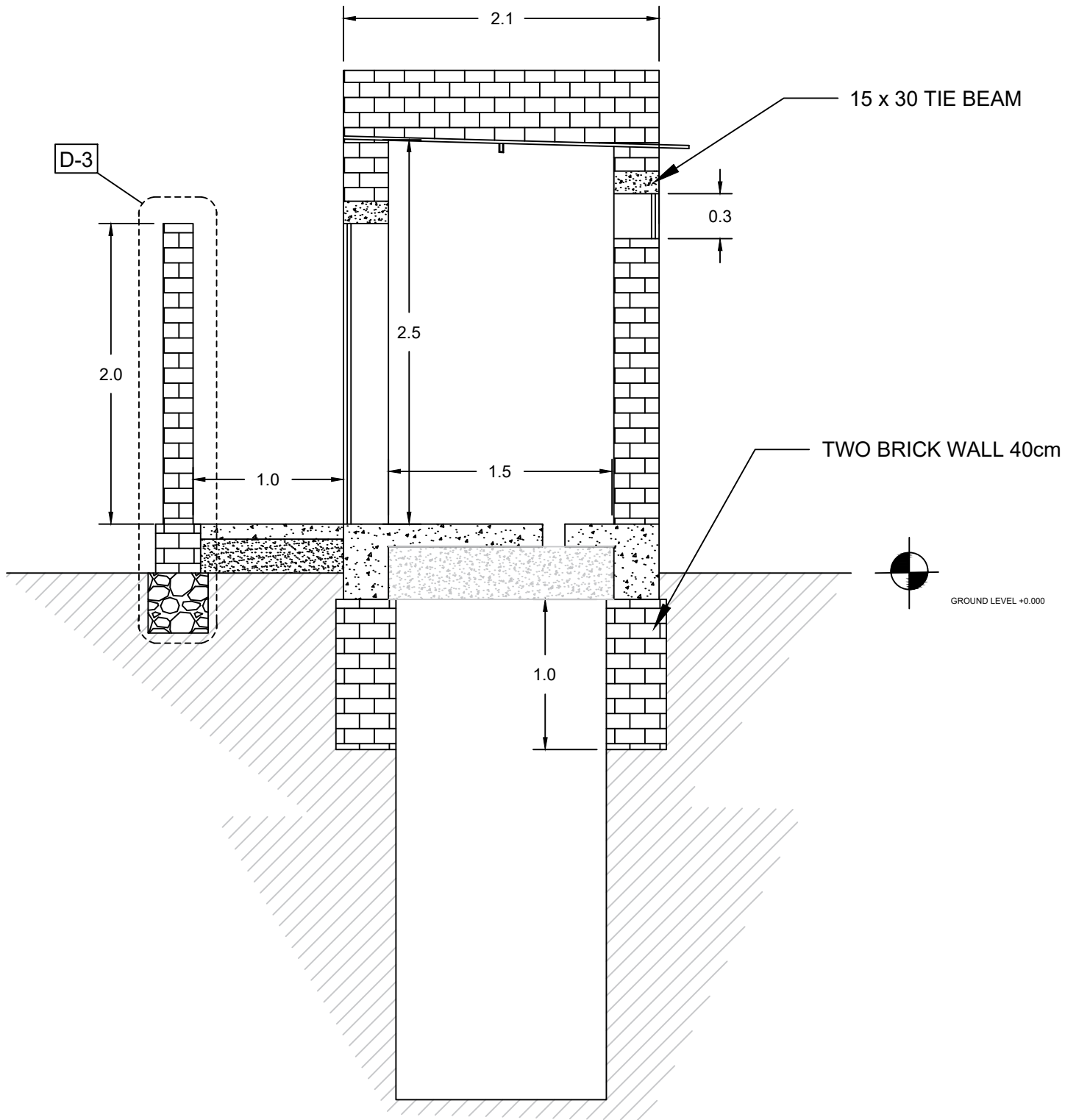




5 DOORS LATRINE

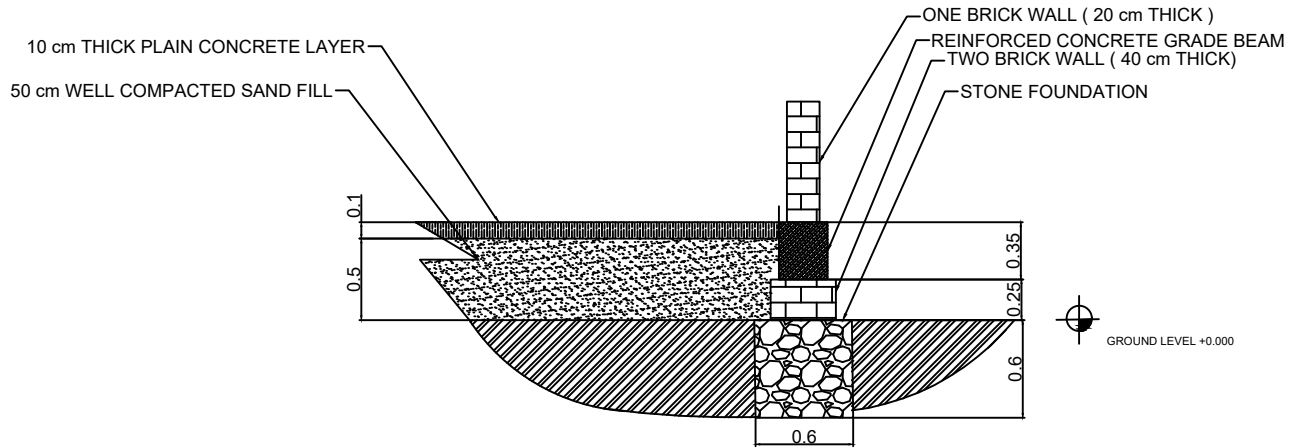


LATRINE SECTION B-B

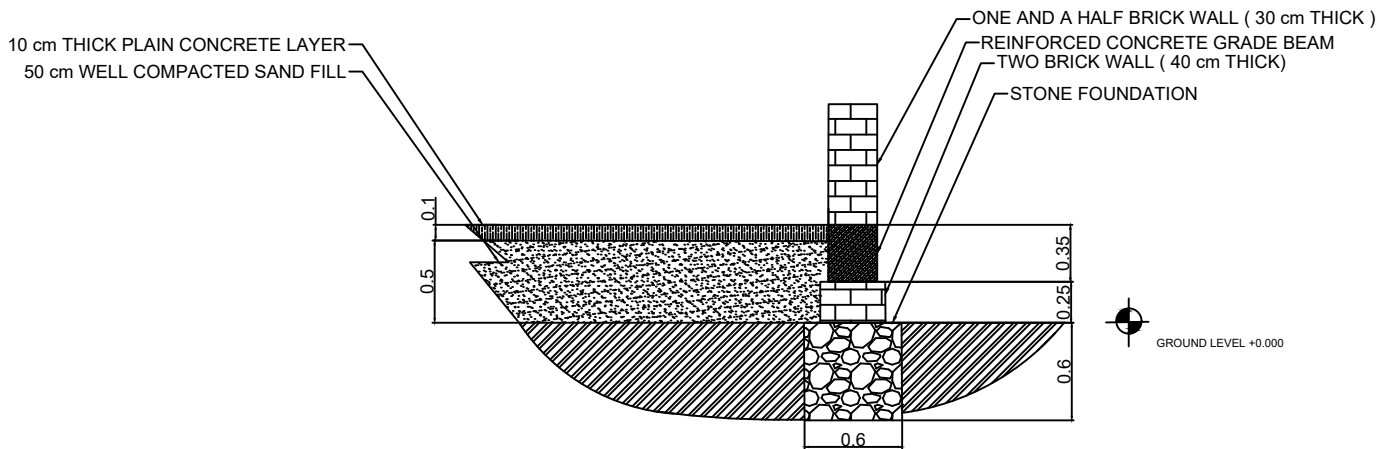


LATRINE SECTION A-A

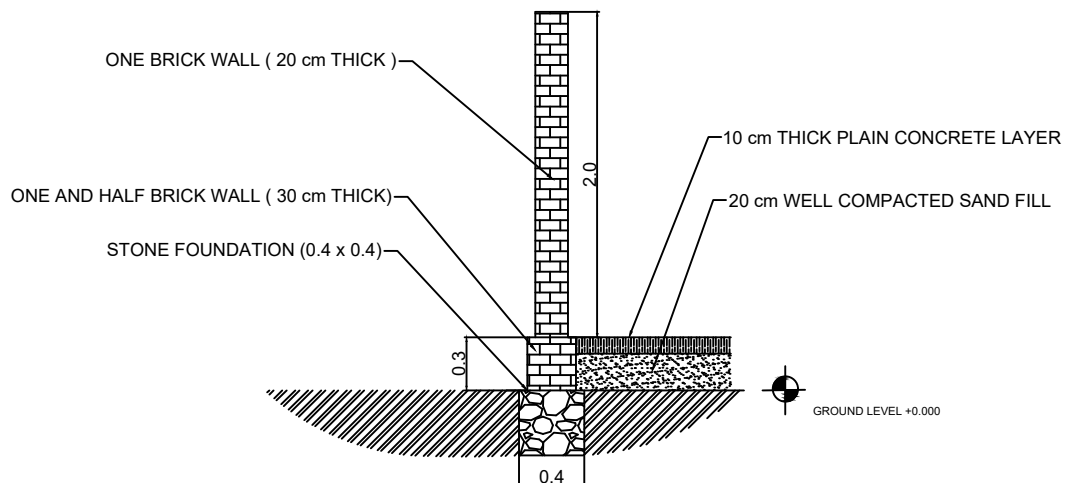
Internal Wall Foundation (D-1)

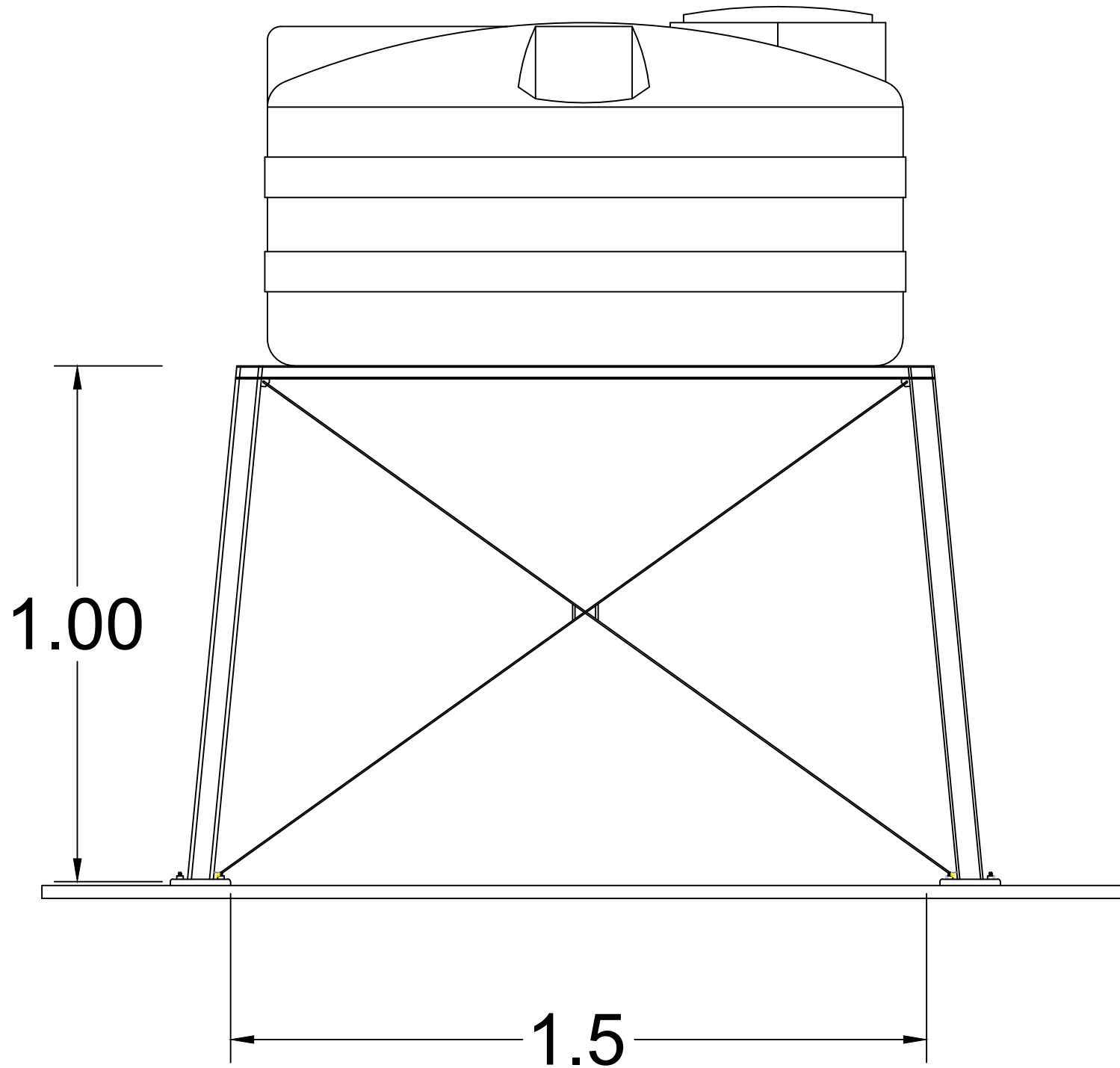


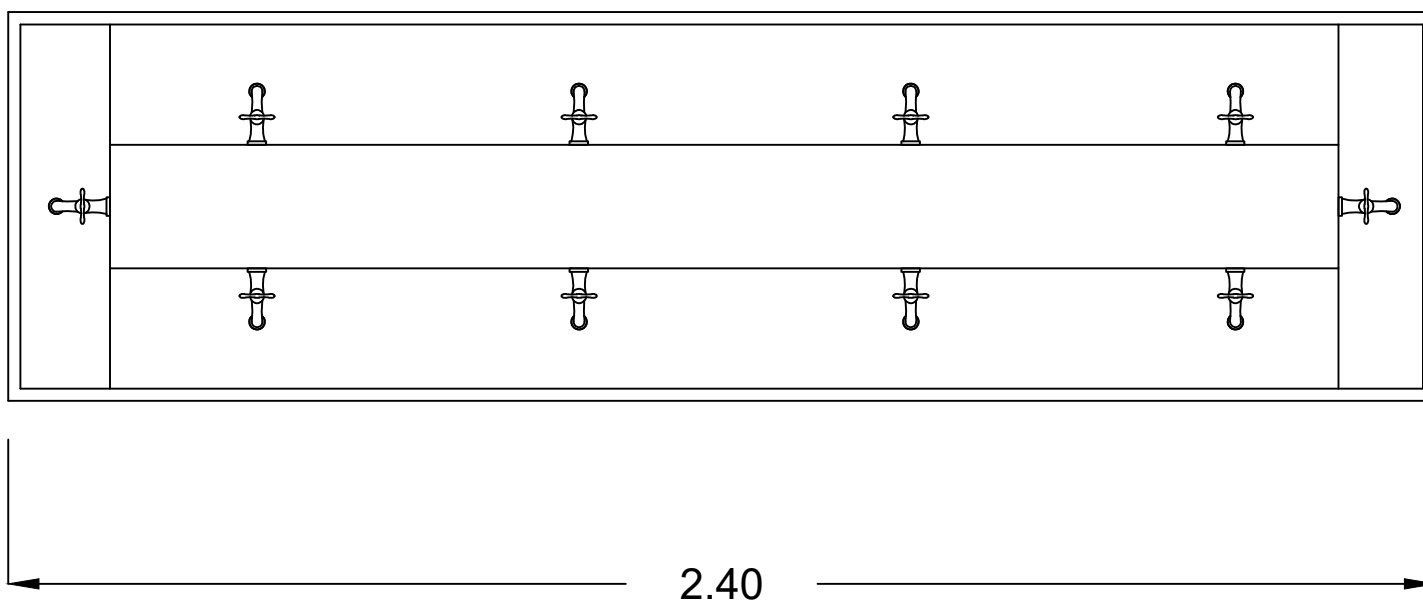
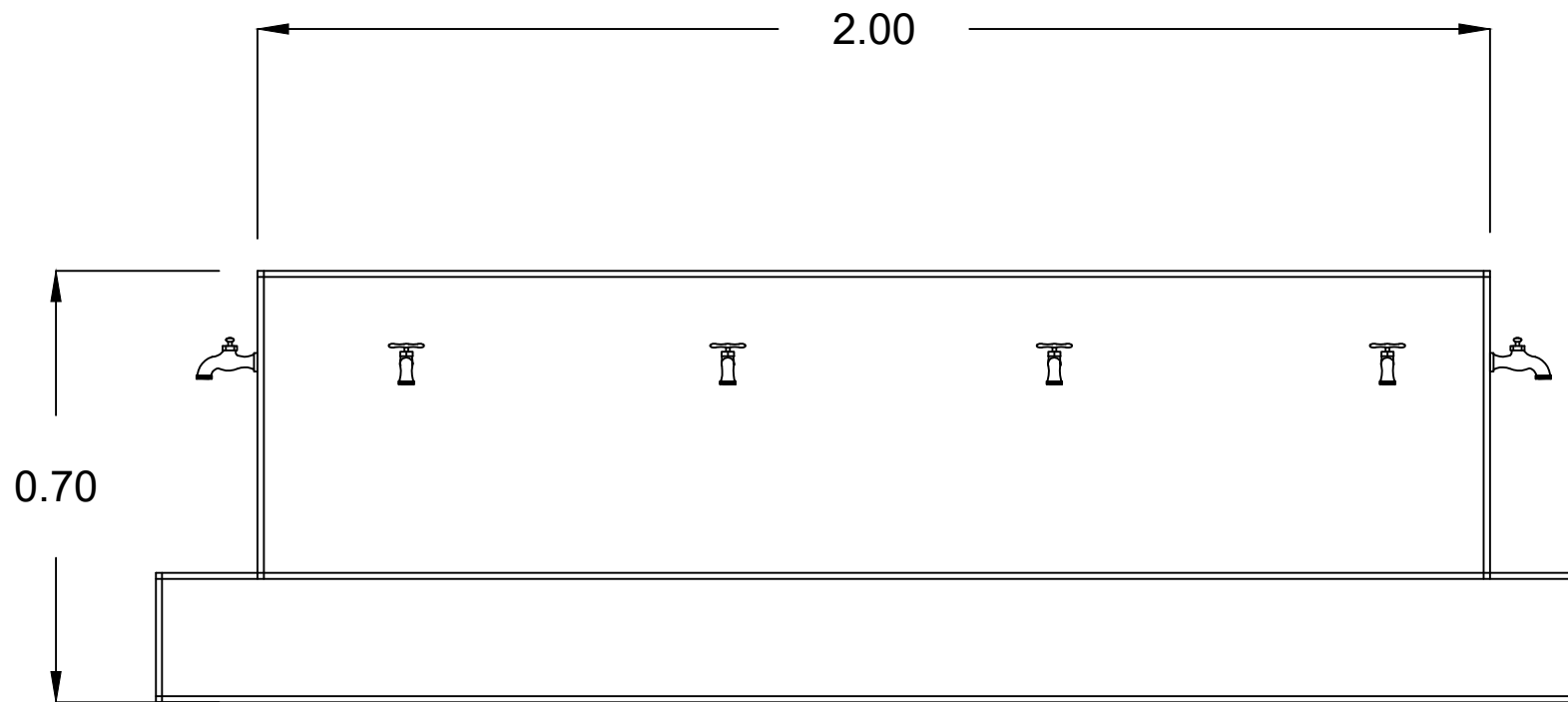
External Wall Foundation (D-2)

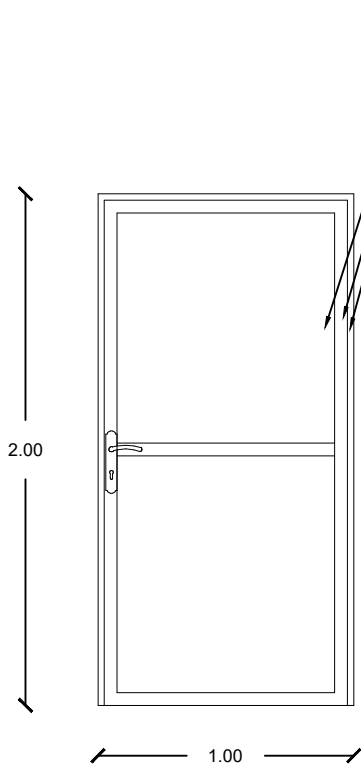


CORRIDOR WALL FOUNDATION (D-3)



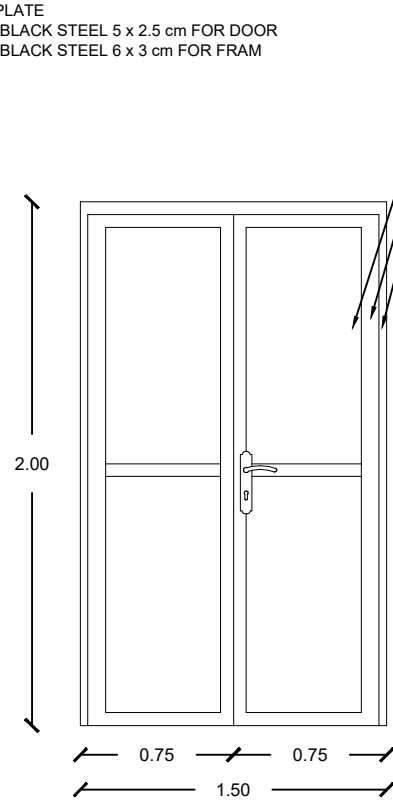






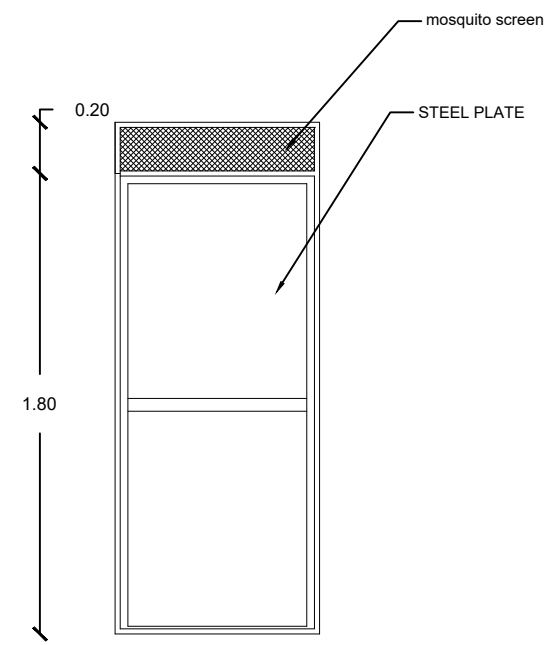
CLASS ROOM DOOR

- RIBBED STEEL PLATE
- RECTANGULAR BLACK STEEL 5 x 2.5 cm FOR DOOR
- RECTANGULAR BLACK STEEL 6 x 3 cm FOR FRAM

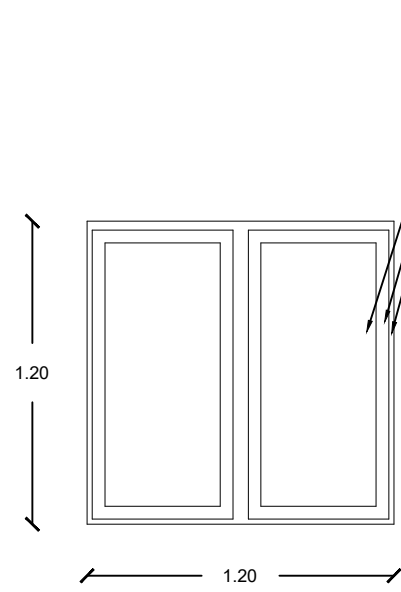


STORE DOOR

- RIBBED STEEL PLATE
- RECTANGULAR BLACK STEEL 5 x 2.5 cm FOR DOOR
- RECTANGULAR BLACK STEEL 6 x 3 cm FOR FRAM



LATRINE DOOR



CLASS ROOM WINDOW

- RIBBED STEEL PLATE
- RECTANGULAR BLACK STEEL 5 x 2.5 cm FOR DOOR
- RECTANGULAR BLACK STEEL 6 x 3 cm FOR FRAM